

# MOBILMAX

PROFESSIONAL IRONING FURNITURE

USE MANUAL

ADVANCED  
SOLUTIONS





# GENERAL CONTENTS

<b>PRODUCT HIGHLIGHTS: DESCRIPTION .....</b>	<b>PAG. 02</b>
<b>FIRST USE .....</b>	<b>PAG. 03</b>
1 <sup>ST</sup> PHASE: OPENING .....	PAG. 03
2 <sup>ND</sup> PHASE: IGNITION .....	PAG. 03
<b>BUILT-IN IRON FOR MOBILMAX (OPTIONAL): DESCRIPTION.....</b>	<b>PAG. 04</b>
<b>FIRST USE OF THE IRON .....</b>	<b>PAG. 04</b>
1 <sup>ST</sup> PHASE: TANK FILLING .....	PAG. 04
2 <sup>ND</sup> PHASE: IRON IGNITION .....	PAG. 04
<b>VERTICAL IRONING .....</b>	<b>PAG. 05</b>
<b>USEFUL TIPS .....</b>	<b>PAG. 05</b>
<b>CLEANING AND REMOVING LIMESTONE FROM THE BOILER .....</b>	<b>PAG. 05</b>
<b>SAFETY RULES AND CAUTIONS .....</b>	<b>PAG. 06</b>
<b>TROUBLESHOOTING .....</b>	<b>PAG. 07</b>
<b>AFTER-SALES ASSISTANCE .....</b>	<b>PAG. 08</b>

## INTRODUCTION

WE THANK YOU FOR CHOOSING THIS PRODUCT **MADE IN ITALY**.  
THIS FURNITURE WITH INTEGRATED IRONING BOARD IS THE RESULT OF A CAREFUL SEARCH CARRIED OUT BY PEOPLE KEEN ON PROFESSIONAL IRONING.

SPECIAL FURNITURE WHICH IN A FEW SECONDS TRANSFORMS INTO A BOARD WITH WITH INNOVATIVE TECHNOLOGY FOR PROFESSIONAL IRONING.

FAST TO CLOSE, IT IS FITTED WITH WHEELS AND CAN BE TRANSPORTED INTO ANY ROOM IN THE HOME.

ALL THIS PROVIDES REMARKABLE BENEFITS:

- NO MORE STEAM AND ODOUR ISSUES WHEN WORKING.
- NO MORE CONDENSATION WITH CONSEQUENT LOSS OF WATER DROPS UNDER THE BOARD.
- WELL IRONED LINEN AND DRY ON BOTH SIDES.
- FASTER WORK BECAUSE EVEN DELICATE FABRICS ADHERE TO THE WORK SURFACE THUS AVOIDING WRINKLES WHILE USING THE SUCTION.

WE INVITE YOU TO READ THIS MANUAL CAREFULLY, TO GET TO KNOW THE PRODUCT BETTER AND TO DISCOVER ITS FULL POTENTIAL.

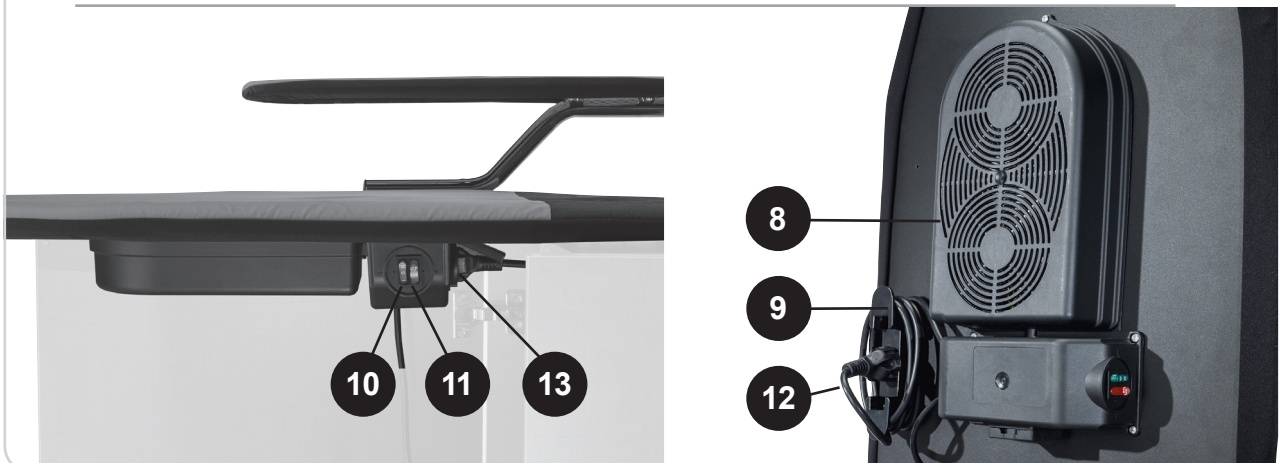
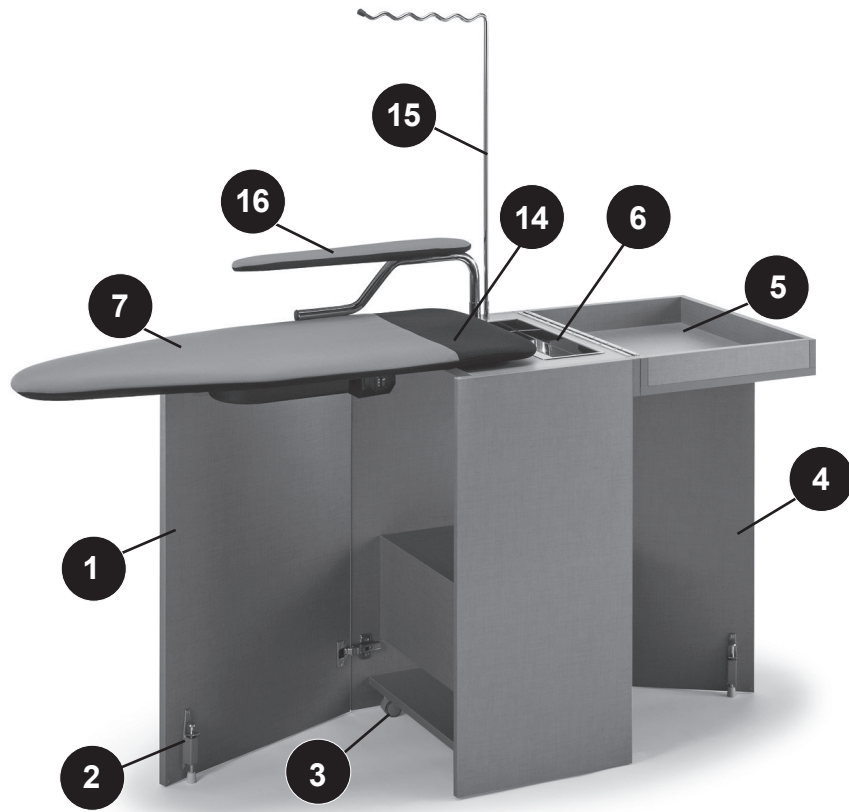
WE RECOMMEND FOLLOWING THE SUGGESTIONS AND USE PRECAUTIONS, IN ORDER TO ENSURE OPTIMAL RESULTS AND SAFETY.



**WARNING: DO NOT USE THE APPLIANCE WITHOUT READING THE MANUAL.**

## PRODUCT HIGHLIGHTS: DESCRIPTION

- 01. Front wing
- 02. Locking / unlocking foot
- 03. Wheels
- 04. Rear window
- 05. Boiler door cover
- 06. Storage compartment
- 07. Ironing table
- 08. Motor
- 09. Cable reel
- 10. General switch and heating
- 11. Suction / blowing switch
- 12. Power cord
- 13. Irons power supply socket (max 2200Watt)
- 14. Suction/blowing ON / OFF button
- 15. Hanger (optional)
- 16. Sleeve iron (optional)



## FIRST USE



To move the furniture, push it from the narrow side

### 1<sup>ST</sup> PHASE: OPENING

- Open the rear door (1) and press the locking foot (2);
- Open the boiler door and place it over the door back (3);
- Open the front door (4);
- Lift the ironing board (5), position the front door in the appropriate seat (6), place the ironing board on the door (7) and press the locking foot (8).



### 2<sup>ND</sup> PHASE: STARTING UP

- Insert the plug of your iron into the "13" socket located under the ironing board;
- Connect the power cord of the cabinet "12" to a 220 Volts socket equipped with an earthed socket;
- Select the "0" position of the green switch "11";
- Turn on the red main switch "10" and wait a few minutes before the table warms up;
- Suction: place the iron over the "14" button (black fabric area), select the "I" position of the switch green "11", when you lift the iron the suction will be automatically activated;
- Blowing: select the "II" position of the green switch "11".



**IMPORTANT: ONCE WORK IS COMPLETE, LEAVE THE IRONING TABLE IN HEATING MODE FOR 10/15 MINUTES.**

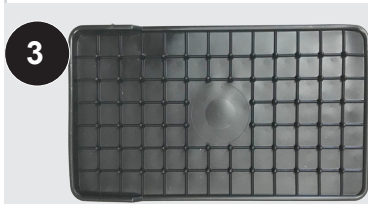
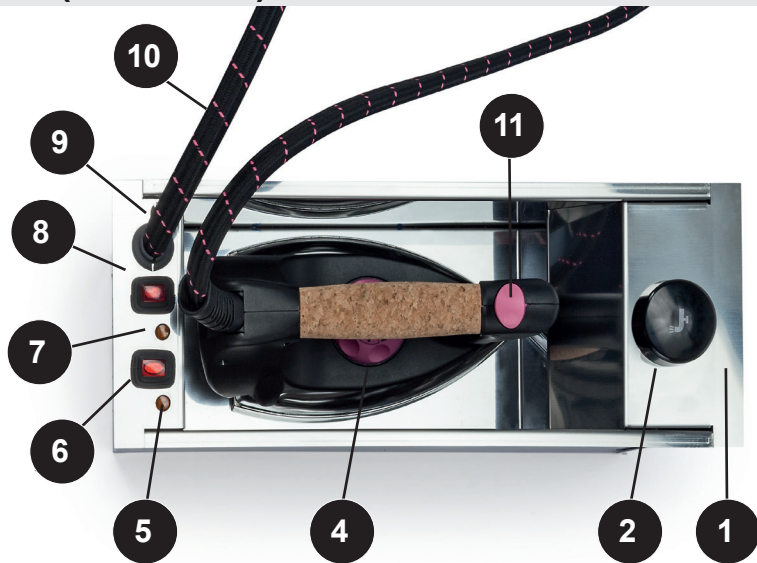
**BEFORE CLOSING, COOL THE SURFACE USING THE SUCTION, USE SWITCH "11". THIS OPERATION GUARANTEES LONG LIFE TO YOUR IRONING TABLE BY REMOVING ANY POSSIBLE WATER RESIDUES COMPLETELY.**

**BEFORE CLOSING THE FURNITURE, TURN THE BOARD OFF USING THE GENERAL SWITCH "10".**

**DISCONNECT THE IRON FROM THE POWER SUPPLY "13" AND THEN DISCONNECT THE POWER CABLE "12".**

## FITTED IRON FOR MOBILMAX (OPTIONAL): DESCRIPTION

1. Metal shell
2. Tank cap
3. Rubber mat
4. Thermostat adjustment knob
5. Steam warning light
6. Iron bright button
7. Water warning light
8. Boiler light button
9. Pipe holding rod
10. Steam / iron feeding tube
11. Iron steam button
12. Power cord
13. Underbody cap



## FIRST USE FOR THE IRON

### 1<sup>ST</sup> PHASE: FILLING THE TANK

- The use of normal tap water is recommended. In case of particularly hard water ( $> 14^{\circ} \text{dH}$  /  $> 17.5^{\circ}$  and  $/ > 25.2^{\circ} \text{f}$ ), it is advisable to mix equal tap water with equal parts in equal parts.
- Before filling the tank, always unplug the appliance from the power socket.
- Remove the cap "2" and pour about 0.800 litres of water into the tank.

**WHEN WATER IN THE TANK DECREASES TO THE MINIMUM, A WARNING SOUND INDICATES YOU NEED TO TOP UP.**



**CAUTION: CONTINUING TO IRON WITHOUT WATER IN THE TANK CAN DAMAGE THE STEAM DEVICE.**

### 2<sup>ND</sup> PHASE: TURNING ON THE IRON

- After putting the water in the tank through the plug "2" insert the plug into the socket.
- Press the "6-8" switches. The lighting of the indicator lights indicates that the control unit and the iron are on.
- Select the desired temperature by turning the thermostat knob "4". The sector between "cotton - linen" on the thermostat knob delimits the field of use of the steam.
- It takes about 5 minutes for the control unit to reach the optimal ironing pressure.
- The "5" steam ready light comes on to indicate that the appliance is ready for use. The next shutdown of light is completely normal. The indicator light will turn on and off without however compromising ironing.
- The water indicator "7" remains on continuously. Switching off indicates that the self-charging system malfunctions.
- During ironing, you will occasionally hear a buzz coming from the control unit; this is completely normal in fact, it indicates that the pump is loading water.
- At the first use of the iron, make a few ironing passes on a common cloth to eliminate any processing residues.

**When first used, the appliance may emit smoke and odor due to the smoke for a few minutes heating and consequent drying of the sealants used in the assembly of iron and iron boiler. It is therefore recommended to aerate the room to eliminate the bad smell.**

- To emit steam from the hotplate, press the steam button "11".
- In order to always obtain an excellent ironing, it is advisable to press the "11" steam iron button at intervals to give iron way to vaporize in an optimal way, but also to be able to dry the stretched fabric.



## VERTICAL IRONING

This appliance is able to generate steam in a vertical position so you can steam fabrics and easily restore them.

1. Place the knob of the iron thermostat “4” at the maximum capacity at the end of the word “linen”.
2. Hang the dress on the hanger, holding it lightly with your hand.
3. Pass the iron from top to bottom and press the steam button.



**ATTENTION: FOR COTTON AND LINEN, IT IS ADVISABLE TO PLACE THE PLATE IN CONTACT WITH THE FABRIC, WHILE FOR THE MOST DELICATE GARMENTS, IT IS RECOMMENDED TO KEEP THE PLATE A FEW CENTIMETRES AWAY.**

## USEFUL TIPS

- It is advisable to divide the garments according to the temperatures indicated on the nameplate. Start ironing with products that require low temperatures.
- Keep the iron plate clean; clean it when it is cold with a damp cloth. Do not clean the iron plate with descaling products if not authorized by the manufacturer. Avoid contact of the plate with zippers, hooks, rings, etc.
- Place the iron on the appropriate mat after use. Make sure the plate is cold, the remainder of drops of water can cause stains to form.
- After switching off, make sure that the iron plate has cooled down and then store the appliance in a dry place.



**IMPORTANT: BEFORE YOU BEGIN, MAKE SURE THAT THE FABRIC TO BE IRONED IS SUITABLE FOR STEAM IRONING: READ THE WARNINGS ON THE CLOTHING LABEL!**

## CLEANING AND REMOVING LIMESTONE FROM THE BOILER

We recommend cleaning the boiler at least once a year to preserve the performance of your boiler over time ironing system. Do not use detergents. If you want to do it yourself, you can use a descaling agent that is non-toxic and / or harmful to ironing systems, authorized by the manufacturer according to the instructions prescribed.

1. Always make sure that the boiler is no longer under pressure before unscrewing the boiler’s underfloor drain plug.
2. Make sure that the plug is not inserted into the socket.
3. Empty the tank by removing the cap “2” from the water.
4. Unscrew the underfloor drain plug “13” and empty the boiler water into a container.
5. To remove limescale from the boiler, rinse it several times until the water is clean.
6. For an optimal cleaning of the boiler, dilute the descaling agent in ½ liter of water and pour the solution inside the boiler through the underbody drain plug “13”.
7. Close the cap and let it sit for about 1 hour with the appliance in operating position but disconnected and cold.
8. Unscrew the underfloor drain plug “13” and overturn the entire contents of the boiler in a container, taking care to rinse with clean water for at least 4 times.
9. Close the underfloor drain plug “13”.



**WARNING: NEVER USE THE APPLIANCE WHILE THE DECALCIFYING SOLUTION IS PRESENT IN THE BOILER. THE NON-OBSERVANCE OF THIS PROCEDURE NULLIFIES THE WARRANTY.**

## SAFETY NORMS AND PRECAUTIONS

- Before use, check that the mains voltage corresponds to that indicated on the nameplate below the ironing system.
- Only connect the appliance to a power outlet that matches the rating plate data and is equipped with an efficient one grounding.
- In case of incompatibility between the socket and the plug of the appliance, have the plug replaced with the other suitable type, by professionally qualified personnel.
- The electrical safety of this appliance is only guaranteed when the appliance is correctly installed connected to an efficient earthing system as required by current electrical safety standards. The Manufacturer declines all responsibility for damage caused by inadequate earthing of the system. In case of doubt, contact qualified technical personnel.
- Do not leave the appliance containing water in an environment with cold temperatures. After removing the packaging check that the appliance is complete and not damaged. If in doubt, do not use the appliance e contact an authorized center.
- Avoid using current adapters, multiple sockets, extension cords. In case it is necessary to use one of these elements, make sure that they comply with the safety directives and the safety limit indicated in the appliance plate (do not exceed the declared maximum capacity).
- Do not keep the packaging (plastic bags, expanded polystyrene etc.) within the reach of children: this way accidents are avoided.
- This appliance should only be used for domestic use. Any other use is to be considered improper and therefore dangerous.
- The manufacturer is not liable for damages due to improper use or for non-compliant repairs carried out by unqualified personnel.
- Do not touch the appliance with wet hands or feet.
- Do not use the appliance in a bathroom.
- Do not remove the plug from the socket by pulling the power cord.
- Do not leave the appliance in an open place, exposed to atmospheric agents such as rain, sun, frost, etc.
- Do not allow the appliance to be used by children or incapacitated persons.
- Do not immerse the appliance in water.
- Before carrying out any cleaning or maintenance operation, disconnect the appliance from the mains power supply, by unplugging.
- In case of failure or malfunction of the appliance, switch it off and do not tamper with it. For any repairs, contact only and a Technical Assistance Center authorized by the manufacturer and request the use of original spare parts.

### **Non-observance of the items above may compromise appliance safety.**

- When you decide to permanently remove the appliance, after disconnecting the plug from the mains supply power supply, it is recommended to make it unusable by cutting the power cord.
- The power cord of this appliance must not be replaced by the user as the replacement requires the use of special tools.
- In case of damage to the cable, or to replace it, contact only one center Assistance authorized by the manufacturer.
- Avoid directing the steam jet on people and / or animals as extremely dangerous.
- Noises due to normal may be heard during the heating and / or cooling phase of the boiler dilatation of the metal with which this is achieved.
- Do not place the ironing system directly under a tap to add water.
- Avoid contact between the hot plate and the cables.
- In case of intervention of the thermo-limiting safety device, the appliance stops working. To restore the normal operation, the appliance must be entrusted to qualified personnel.
- Avoid using iron on fabrics that are too wet.
- Do not fill the tank more than necessary and do not mix the water with stain removers, perfumes or similar.
- The user must not leave the appliance unattended when it is connected to the power supply.
- Disconnect the mains plug and switch off the main switch when the appliance is not on used.
- Do not leave the appliance unnecessarily inserted.
- The control unit must not be moved during operation and must be positioned on a surface flat particularly resistant to high temperatures.
- In the event of a fall of the ironing system with consequent visible breakage of the appliance (boiler or iron), avoid re-use by bringing the appliance to a Service Center for repairs.
- The ironing system should not be used if there are visible damage or leakage. Before using the appliance again, contact the qualified Service Centre.
- In case of leakage or loss of steam from the safety valve placed under the iron, it is necessary contact an authorized Service Center to have the integrity checked even if the appliance continues to work regularly.
- Keep these instructions carefully for further consultation.
- This appliance complies with the EEC directive EN 55014 on radio interference suppression.



## TROUBLESHOOTING

Sometimes problems arise from causes which can be easily removed by carrying out simple checks.

	PROBLEM	CAUSE	SOLUTION
<b>IRONING TABLE</b>	Ironing board does not heat up	<ul style="list-style-type: none"> <li>• General switch “10” is off</li> <li>• Lack of voltage at the socket.</li> <li>• General switch “10” is switched off</li> </ul>	<ul style="list-style-type: none"> <li>• Turn on the “10” switch</li> <li>• Check the operation of the socket with another appliance</li> </ul>
	The board motor does not work	<ul style="list-style-type: none"> <li>• “11” vacuum / blowing switch turned off</li> <li>• Lack of voltage at the outlet current</li> <li>• The iron presses on button “14”.</li> </ul>	<ul style="list-style-type: none"> <li>• Turn on the “10” switch</li> <li>• Turn on the “11” switch suction / blowing</li> <li>• Check the operation of the taken with another appliance</li> <li>• Lift the iron from the table from the ironing board</li> </ul>
	The ironing motor stays in operation	The iron does not press on the “14” button.	Position the iron above button “14”.
<b>BUILT-IN IRON</b>	The iron does not heat up	<ul style="list-style-type: none"> <li>• The iron button “6” is off</li> <li>• The thermostat knob on the iron “4” is in the “off” position</li> <li>• There is no voltage at the socket</li> </ul>	<ul style="list-style-type: none"> <li>• Turn on the “6” button</li> <li>• Turn the knob to the position desired</li> <li>• Check the operation of the socket with another appliance</li> </ul>
	The iron warms but pressing the “11” steam button does not come out steam or it comes out little	<ul style="list-style-type: none"> <li>• The water tank is empty</li> <li>• The boiler is clogged with limestone</li> </ul>	<ul style="list-style-type: none"> <li>• Fill the tank with water continuous recharge.</li> <li>• Descale the boiler following the specific instructions.</li> </ul>
	The iron plate drips	<ul style="list-style-type: none"> <li>• The thermostat knob on the iron “4” is not positioned in the “zone vapor”</li> <li>• Condensation formation</li> </ul>	<ul style="list-style-type: none"> <li>• Turn the knob to the position correct</li> <li>• A few drops of water at the beginning of ironing is normal</li> </ul>
	The iron stains fabrics	Perfumes have been added to the water or additives	Rinse tank and boiler and use always and only tap water e distilled water of sure origin
	Coloured fabrics become shiny	<ul style="list-style-type: none"> <li>• Ironing mode not appropriate</li> <li>• The boiler is clogged with limestone</li> </ul>	<ul style="list-style-type: none"> <li>• Check the correct label on the label ironing temperature</li> <li>• Iron the garments from inside or interpose one cloth between them and the iron</li> </ul>

**f, after carrying out these checks, the appliance does not work, please contact the Technical Assistance Service.**

## WARRANTY AND TECHNICAL



### TECHNICAL CHARACTERISTICS IRONING FURNITURE

- Cabinet with chipboard structure covered in melamine
- Closed mobile measurements 55 x 45 x 94 h. cm
- Mobile open dimensions 55 x 160 x 90 h. cm
- Measurements of the ironing board 45 x 110 cm
- Operating temperature + 5 ° C / + 30 ° C
- Thermo safety limiter
- 12V Microcontrol
- Maximum 2000 Watt power supply socket
- 300 watt axle plane resistance power
- 30 watt motor power
- Maximum power 330 watts
- Voltage 220 - 240 Volt 50 - 60 Hz
- Complies with EEC directive EN 55014 on suppression of radio interference.

### TECHNICAL CHARACTERISTICS IRON

- Stainless steel body
- Stainless steel boiler with removable resistance
- Operating temperature + 5 ° C / + 30 ° C
- Thermo safety limiter
- Safety valve
- 0.8 liter boiler water capacity
- Tank capacity of 0.8 litres
- Operating pressure 2.8 bar
- Boiler power 1,100 watts
- 800 watt iron power
- Maximum power 1,900 watts
- Voltage 220 - 240 Volt 50 - 60 Hz
- Complies with EEC directive EN 55014 on suppression of radio interference.

For any malfunction, please contact your dealer or the Technical Service.

Never repair your device on your own. The regulations at the basis of its manufacture might break and consequently the warranty might forfeit. The warranty forfeits also when any intervention is carried out by non-authorized staff.

### CONDITIONS

The device sold is guaranteed according to the Law for possible manufacture failures. During this period, the faulty components are replaced free, if the failure is not caused by collisions, falls, fires, short circuits or by an improper use. The non-working device or the faulty parts are to be sent carriage free to our Company or to the authorised Technical Service. We send the repaired components back carriage paid to the purchaser address.

### INFORMATION FOR THE USERS ON THE DISPOSAL OF OUTDATED ELECTRIC AND ELECTRONIC DEVICES (FOR PRIVATE FAMILY UNIT)



This symbol on the products and/or on the documents means that the electric and electronic products used are not to be disposed of with generic household waste. For a correct treatment, reutilization and recycling take these products to the collecting points, where they are accepted free. Alternatively, in some Countries the products could be given back to the local dealer when purchasing another equivalent product. A correct disposal of this product will allow saving precious resources and avoid possible negative effects on the human health and on the environment. For further details, contact the local authority or the nearest collecting point. In case of wrong disposal, penalties may be applied according to the Local Law. For the Companies of the European Union: if you wish to dispose of electric and electronic devices, contact the dealer or the supplier for further details. Information about disposal in Countries not belonging to the European Union. This symbol is valid only in the European Union. If the device should be disposed of, contact the local authority or the dealer and ask for information about a correct disposal.



**WARNING:  
DANGER OF BURNS**



**MAXIMA**  
ADVANCED SOLUTIONS

MAXIMA SRL - VIA ENRICO FERMI, 16  
31040 GORGO AL MONTICANO - ITALY  
TEL +39 0422 749 867  
FAX +39 0422 809 442  
WWW.MAXIMAITALIA.COM

